

DUSCHOLUX System 210

Overview of design options.

No concealed profile, no ceiling connection, no prior insertion of anchor points. DUSCHOLUX System 210 is only attached to the wall and floor interfaces. Installation takes only a couple of hours and can be scheduled right at the end of the construction work.

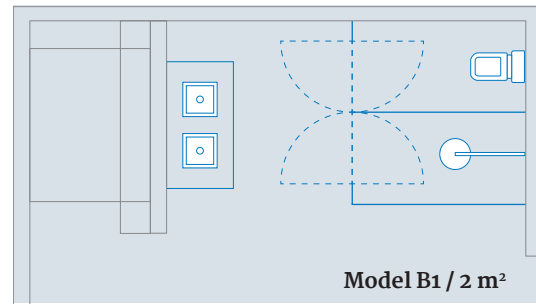
Features

- Partially framed room-in-room solution as an alternative to drywall solutions
- Glass thickness 8 mm (stationary parts), 6 mm (door parts)
- Profile colour Chrome Glossy, Silver Matt and Black Matt
- Profile can be customised with PanElle in glass and stone finishes
- Swing doors open inwards and outwards
- 15 millimetre adjustment range at the wall interface
- Glass-glass connections sealed with silicone or with profile
- Silicone-sealed floor interface
- Slimline magnetic closure made of aluminium
- Glass holder with pressfit technology
- Extensible, modular room system
- No visible fittings
- Ceiling-independent installation
- Barrier-free access
- DUSCHOLUX CareTec® Pro glass finishing optionally available
- Height up to 2500 mm



D
DUSCHOLUX

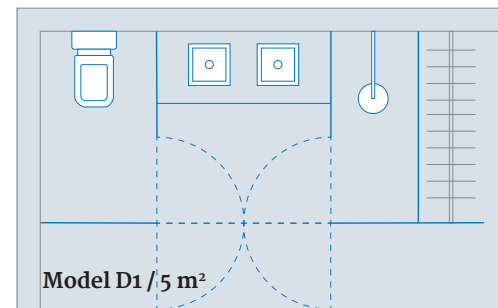
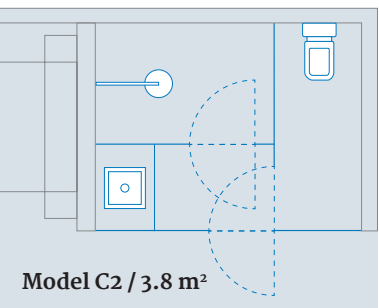
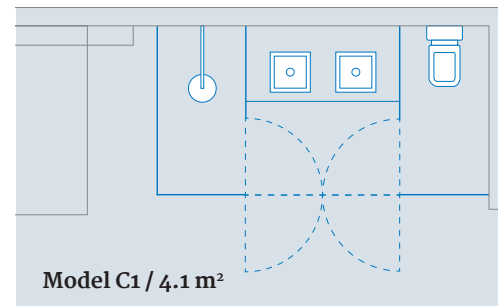
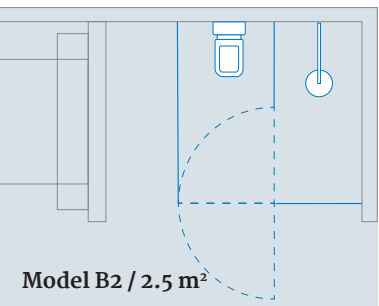
Modular room-in-room solutions



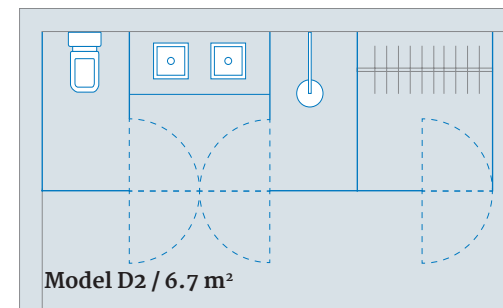
Transparent and modern. Consistent interior design experience for hotel guests.

DUSCHOLUX System 210 is an intelligent room-in-room solution with design appeal. The flexible construction allows countless installation variations with only three different components. In this way you create a consistent spatial experience despite the different floor plans.

The light design with a multitude of material and colour options creates eye-catching combinations.



Creative installation contexts as inspiration.



Integrates itself in your design concept
Chrome Glossy, Silver Matt and Black Matt harmonise with a wide variety of colours and materials. For all other cases, the range is expanded enormously with PanElle and real wood supporting you in your creative process.



A sense of space and of privacy
A wide selection of glasses guarantees privacy where necessary and transparency where desired.



- 01 Glass with your own logo
- 02 Glass Satin
- 03 Glass Patch
- 04 Glass Mirror
- 05 Glass partial Satin
- 06 Glass Polar
- 07 Glass Carbon
- 08 Glass Terra

Shower floors
Whether tiled or made of mineral casting. In both cases we support you with smart solutions and competent advice.



For more information visit
www.duscholux.com/system210

